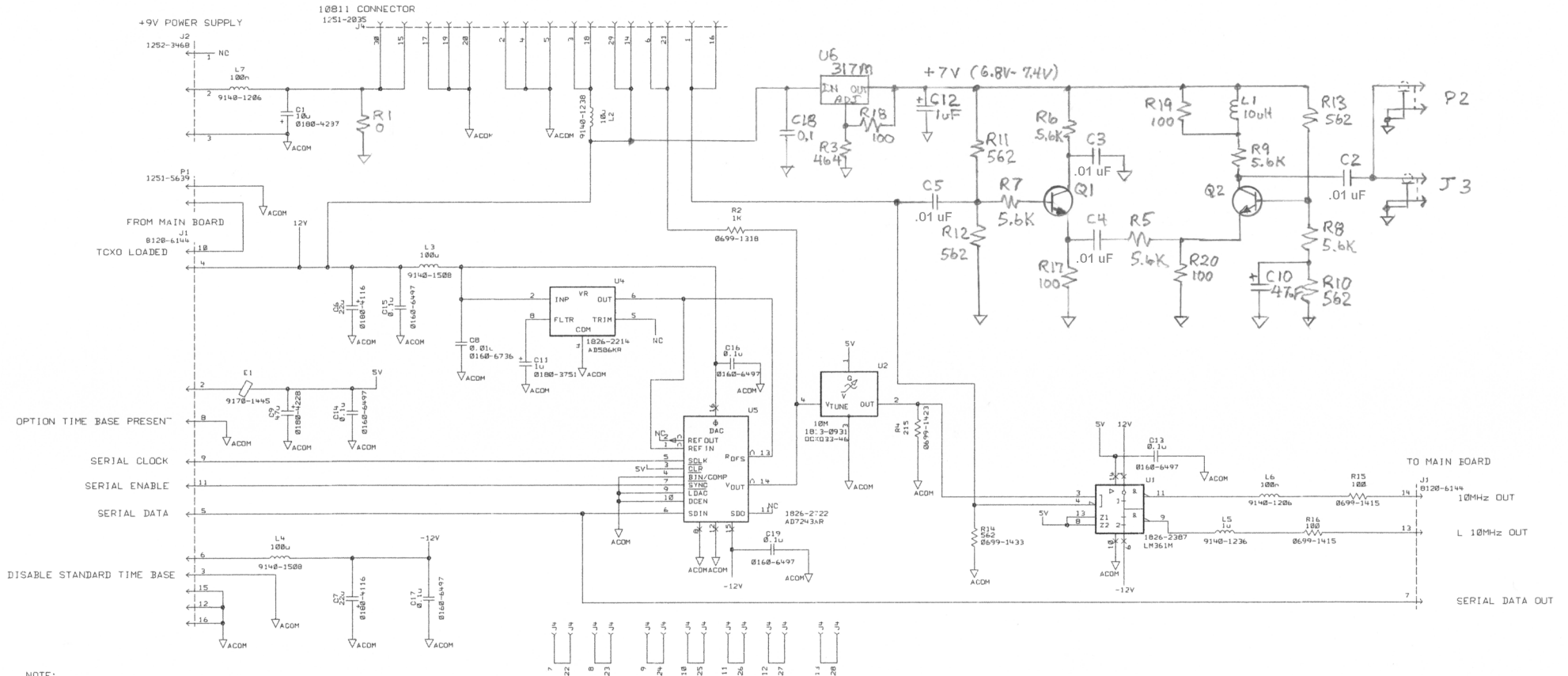


**10811 OCXO populated only
in OPT 010 and 012 counters**



NOTE:
PLACE JUMPER ACROSS P1 WHEN THE
10811 IS USED. (OPTION 10 OR 12)
REMOVE JUMPER WHEN TCXO IS USED. (OPTION 01)

**U2 10MHz OCXO
populated only in
OPT 001 counters**

**Agilent 53132A
Universal Counter**

**53132-60011
Optional Time Base**