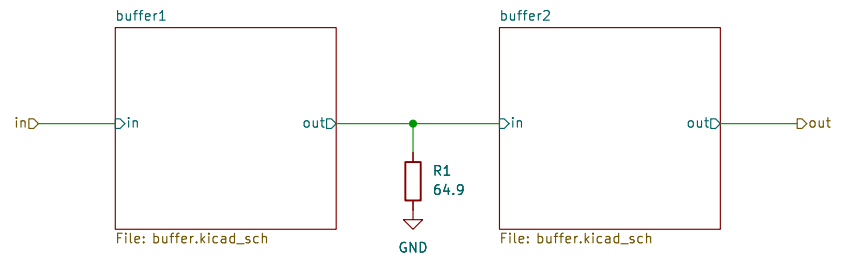
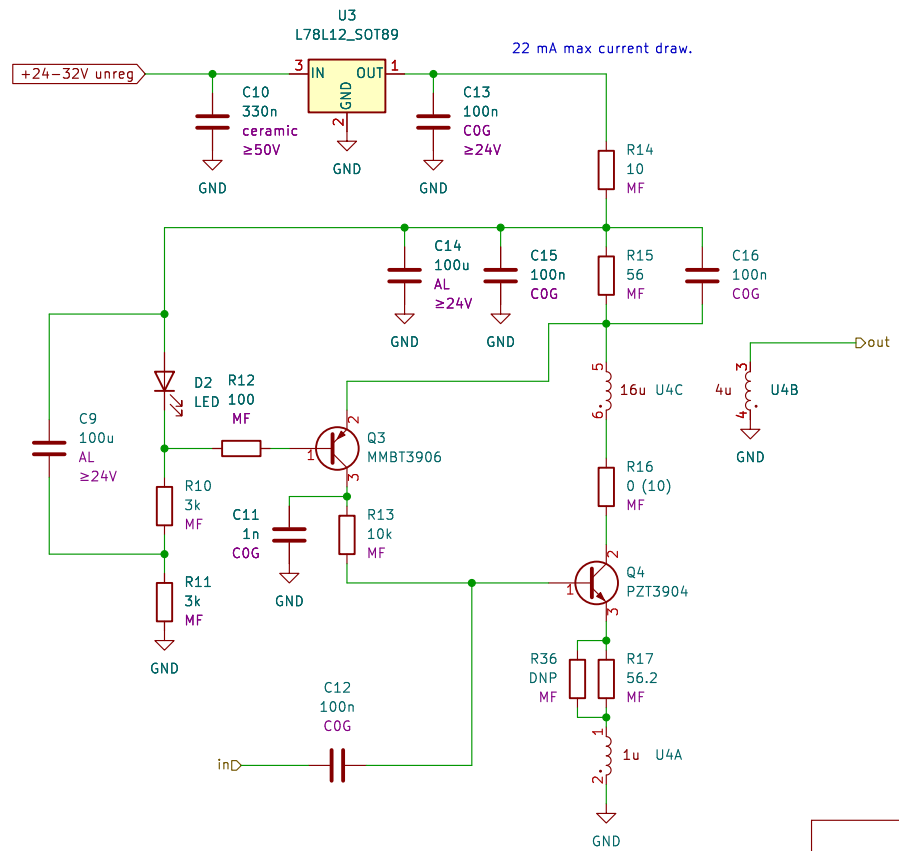


Sheet: /	
File: bruce_2_stage.kicad_sch	
Title:	
Size: A4	Date:
KiCad E.D.A. kicad 7.0.0	Rev: Id: 1/7

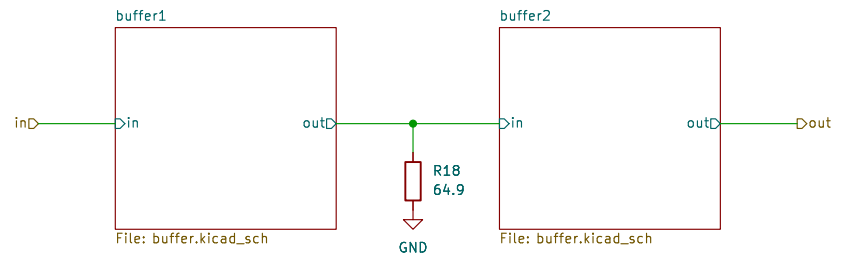


Sheet: /2-stage buffer 1/
File: 2_stage_buffer.kicad_sch

Title:	
Size: A4	Date:
KiCad E.D.A. kicad 7.0.0	Rev: Id: 2/7



Sheet: /2-stage buffer 1/buffer2/		
File: buffer.kicad_sch		
Title:		
Size: A4	Date:	Rev:
KiCad E.D.A. kicad 7.0.0		Id: 4/7



Sheet: /2-stage buffer 2/
File: 2_stage_buffer.kicad_sch

Title:

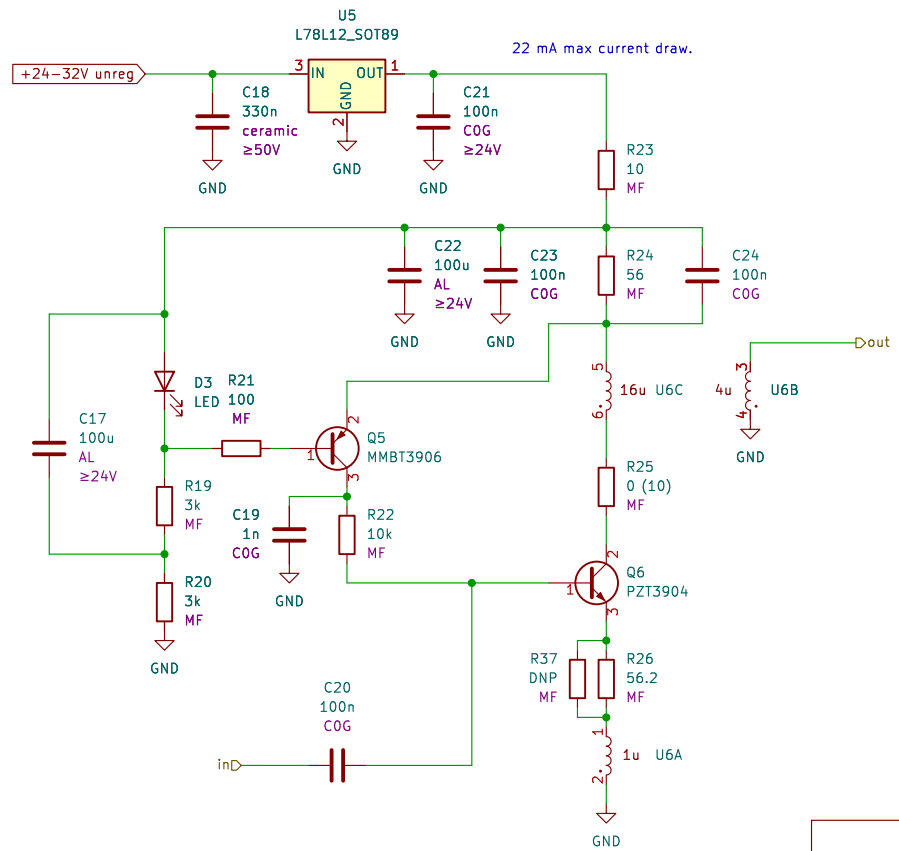
Size: A4

Date:

KiCad E.D.A. kicad 7.0.0

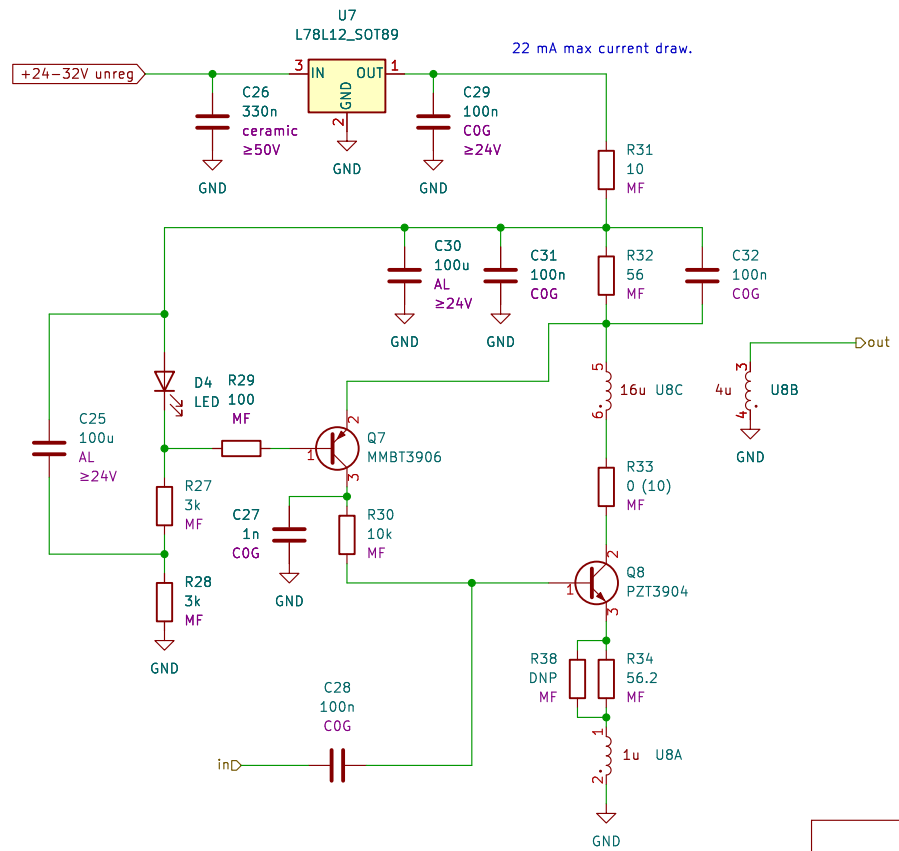
Rev:

Id: 5/7



22 mA max current draw.

Sheet: /2-stage buffer 2/buffer1/		
File: buffer.kicad_sch		
Title:		
Size: A4	Date:	Rev:
KiCad E.D.A. kicad 7.0.0		Id: 6/7



Sheet: /2-stage buffer 2/buffer2/		
File: buffer.kicad_sch		
Title:		
Size: A4	Date:	Rev:
KiCad E.D.A. kicad 7.0.0		Id: 7/7